

# Mi-T-M<sup>®</sup> CORPORATION

8650 Enterprise Drive, Peosta IA 52068

563-556-7484 / Fax 563-556-1235

## PARTS LIST FOR *CW-2008-OMGV*

**Engine Oil Grade:**

**Above 40°F=SAE 30**

**Below 40°F=SAE10W-30**

**Engine Oil Capacity:**

**56 oz.**

**Pump Oil Grade:**

**Mi-T-M Pump Oil #AW-4085-0016**

**Pump Oil Capacity:**

**50.7 oz.**

**Nozzle Size:**

**12.0**

This Parts Listing has been compiled for your benefit. You can be assured your Mi-T-M Cold Water Pressure Washer was constructed and designed with quality and performance in mind using over 25 years experience in the pressure washer business. Each component has been rigorously tested to insure the highest level of acceptance.

The contents of this Parts Listing are based on the latest product information available at the time of publication. Mi-T-M reserves the right to make changes in price, color, materials, equipment, specifications or models at any time without notice.

### **WARNING**

**THIS IS A PROFESSIONAL HIGH PRESSURE, COLD WATER PRESSURE WASHER. CAUTION SHOULD BE OBSERVED WHEN USING OR REPAIRING THIS UNIT! READ AND FOLLOW THE SAFETY WARNINGS LISTED BELOW BEFORE ATTEMPTING ANY REPAIRS ON THIS PRESSURE WASHER!**

### **SAFETY WARNINGS**

1. NEVER alter or modify the equipment. Be sure any accessory items and system components being used will withstand the pressure developed. Use only genuine Mi-T-M parts for repair of your pressure washer. Failure to do so can cause hazardous operating conditions and will VOID warranty.
2. NEVER make adjustments on machinery while the unit is connected to the power source. Turning over the machinery by hand during adjustment or cleaning might start the machinery, causing serious injury to the operator.
3. Know how to stop and bleed pressures quickly. Be thoroughly familiar with controls.
4. Before servicing the unit, turn unit off, relieve the water pressure and allow the unit to cool down. Do not make repairs while the unit is running. Service in a clean, dry, flat area.
5. After testing the machine, DO NOT leave the pressurized unit unattended. Shut off the unit and release trapped pressure before leaving.

## **Table of Contents**

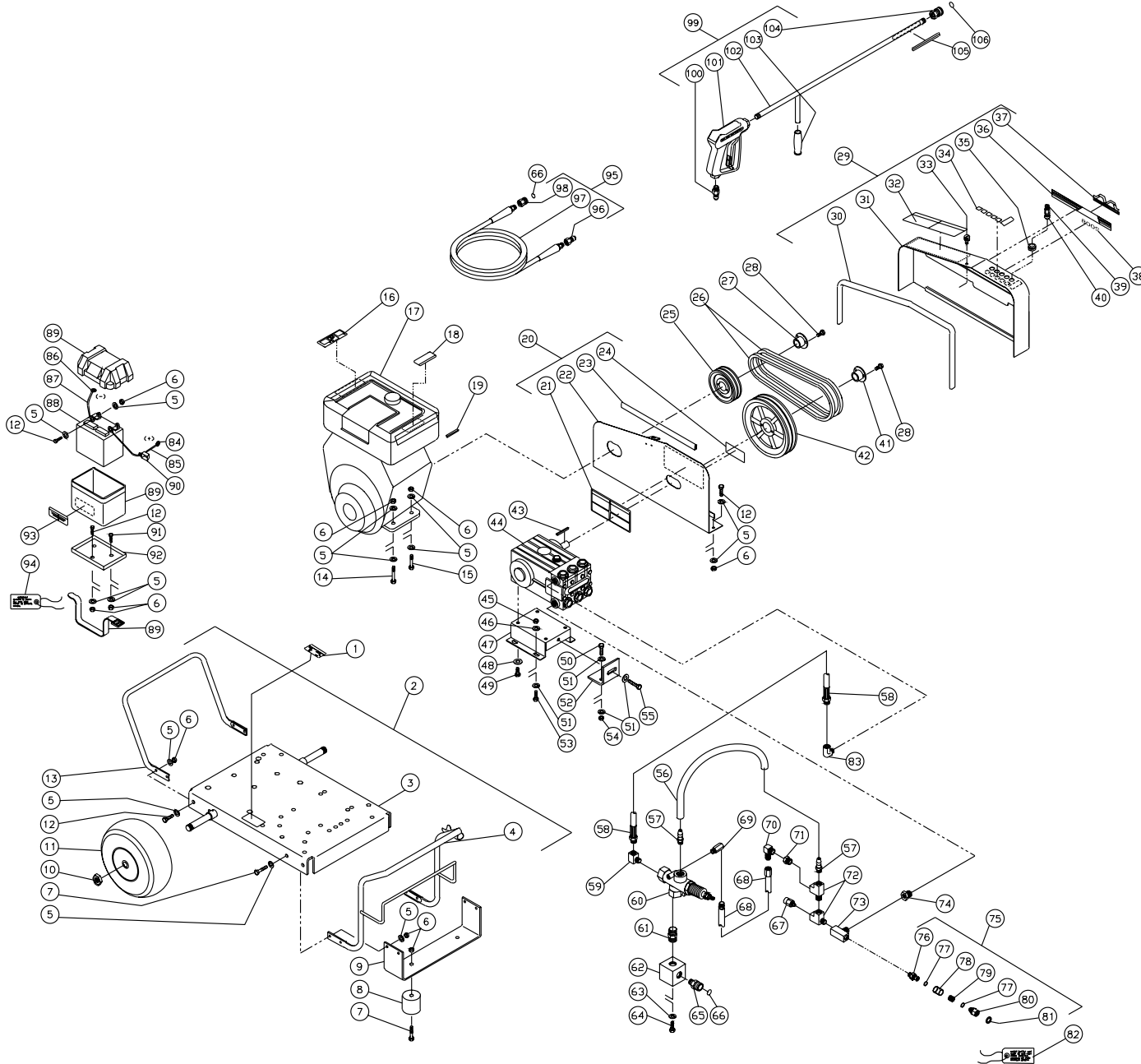
<b>SPECIFICATIONS .....</b>	<b>3</b>
<b>FRAME ASSEMBLY FOR CW-2008-0MGV .....</b>	<b>4</b>
<b>PUMP ASSEMBLY (3-0081) .....</b>	<b>6</b>
<b>UNLOADER ASSEMBLY (8-0032) .....</b>	<b>8</b>
<b>GUN ASSEMBLY (16-0001) .....</b>	<b>10</b>

## SPECIFICATIONS

CW-2008-0MGV

MODEL NUMBER	CW-2008-0MGV
<b>Operating Pressure (PSI/Bar):</b>	2000/137.8
<b>High Pressure Nozzle:</b>	12.0
<b>Water Volume (GPM/lpm):</b>	8.0/30.3
<b>Engine:</b>	Briggs & Stratton
Horsepower	16.0
Engine Type	Four Stroke, Overhead Valve, Single Cylinder
Oil Type	Above 40 F=SAE 30/Below 40 F=SAE10W-30
Oil Capacity (oz./liter)	56/1.7
Low Oil Protection	Oil Guard
Fuel Type	Unleaded Gasoline 86 Octane Minimum
Fuel Capacity (Qt./liter)	2.25/8.5
Starting	Recoil Rope
Maximum No Load RPM	3600 (+/- 100)
<b>Pump:</b>	Direct Driven, Oil Bath, Triplex Piston
Oil Type	Mi-T-M Pump Oil #AW-4085-0016
Oil Capacity (oz./liters)	50.7/1.5
Plungers	Ceramic
Manifold	Forged Brass
Valves	Stainless Steel
Unloader:	Preset
Heat Dump Valve:	Relieves heated water during unloader bypass stage
<b>Unit Net Weight (lbs/Kg)</b>	306/139
<b>Unit Shipping Weight (lbs/Kg)</b>	386/175
<b>Unit Net Dimension (cm)</b>	45.5Lx32.5Wx30H/ 115.5Lx82.5Wx76.5H
<b>Unit Shipping Dimension (cm)</b>	48.5Lx30.5Wx35.5H/ 123Lx77.5Wx90H

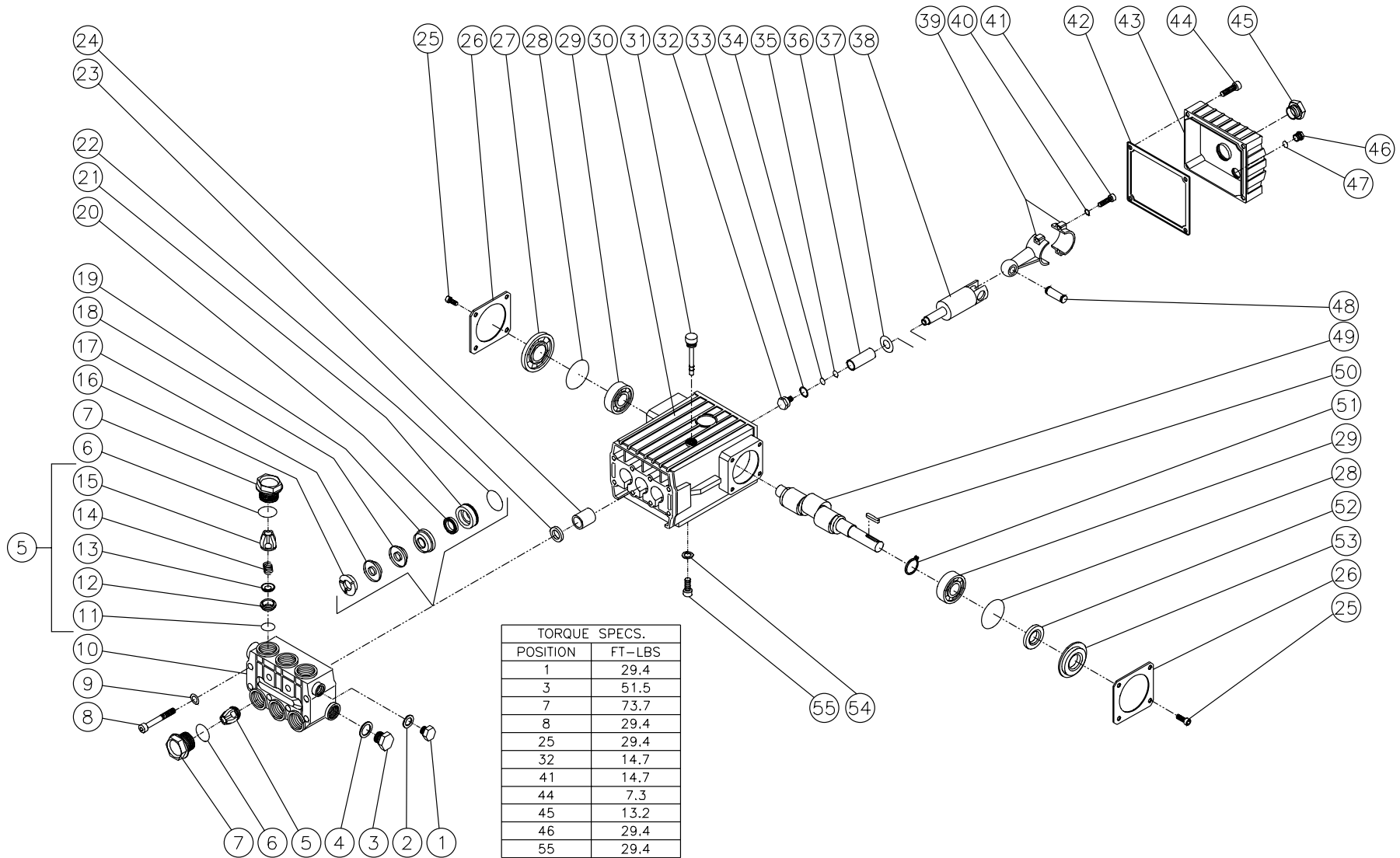
# FRAME ASSEMBLY FOR CW-2008-0MGV



CW-2008-0MGV-083101-RD

FRAME ASSEMBLY FOR CW-2008-OMGV											
REF. #	DESCRIPTION	PART #	QTY.	REF. #	DESCRIPTION	PART #	QTY.	REF. #	DESCRIPTION	PART #	QTY.
1	Decal- Data Plate	N/A	1	38	Decal- Die Cut 2008	34-0260	1	72	Tee	23-0124	2
2	Base Plate Assembly (Inc. 3-13)	851-0333	1	39	Spray Nozzle- 0012	18-0190	1	73	Tee	23-0235	1
3	Base Plate	5-0137A01	1	-	Spray Nozzle- 1512	18-0141	1	74	Adpater	23-0023	1
4	Handle	7-0102A01	1	-	Spray Nozzle- 2512	18-0191	1	75	Filter Assembly (Inc. 76-81)	19-0206	1
5	Washer	28-0003	40	-	Spray Nozzle- 4012	18-0192	1	76	Inlet Filter (See 19-0206)	N/A Sep.	1
6	Locknut	30-0157	24	40	Quick Connect Plug	17-0017	4	77	O-ring	25-0517	2
7	Bolt	27-0068	6	41	Bushing	9-0023	1	78	Filter Sight Glass	19-0208	1
8	Isolator	14-0008	2	42	Sheave	10-0040	1	79	Strainer Screen	19-0209	1
9	Underbracket	13-0015A01	1	43	Key (See 9-0023)	N/A Sep.	1	80	Inlet Filter (See 19-0206)	N/A Sep.	1
10	Jamnut	30-0117	2	44	Pump	3-0081	1	81	Garden Hose Gasket	26-0001	1
11	Wheel	14-0006	2	45	Locknut	30-0161	4	82	Tag- Water Supply Inlet	34-0097	1
12	Bolt	27-0067	11	46	Washer	28-0030	4	83	Elbow	24-0105	1
13	Handle	7-0105A01	1	47	Pump Bracket	5-0147A01	1	84	Battery Terminal Ring	32-0098	1
14	Bolt	27-0071	2	48	Washer w/Pump	29-0055	4	85	Battery Cable- Positive *(Two Feet Required)	32-0062	1
15	Bolt	27-0072	2	49	Bolt w/Pump	27-8471	4	86	Battery Terminal Ring	32-0097	2
16	Decal- Warning: Muffler Hot (E/S)	34-0598	1	50	Bolt	27-0119	2	87	Battery Cable- Negative *(Two Feet Required)	32-0065	1
17	Engine- 16 H.P. Vanguard	851-0099	1	51	Washer	28-0023	9	88	Battery Box	33-0092	1
18	Decal- Caution: Allow to Cool (E/S)	34-0599	1	52	Tightener Bracket	13-0126A01	1	89	Battery	32-0058	1
19	Key	43-0078	1	53	Bolt	27-0166	4	90	Battery Cable Cover	33-0004	1
20	Beltguard Assembly- Back (Inc. 21-24)	851-0334	1	54	Locknut	30-0159	2	91	Bolt	27-0066	2
21	Decal- Warning/Caution (E/S)	34-0812	1	55	Bolt	27-0576	1	92	Battery Retainer	20-0264A01	1
22	Beltguard Back (See 851-0334)	N/A Sep.	1	56	By-Pass Hose *(Two Feet Required)	15-0007	1	93	Decal- Caution: Disconnect Battery (E/S)	34-0848	1
23	Edging *(Two Feet Required)	33-0020	1	57	Hose Barb	23-0045	2	94	Tag- Battery	34-0096	1
24	Decal- Warning: Beltguard Cover (E/S)	34-0826	1	58	Hose	15-0024	1	95	Pressure Hose Assembly (Inc. 96-98)	851-0089	1
25	Sheave	10-0041	1	59	Elbow	23-0035	1	96	Quick Connect Plug	17-0006	1
26	Belt	11-0009	2	60	Unloader	8-0032	1	97	Pressure Hose	15-0056	1
27	Bushing	9-0005	1	61	Hex Nipple	23-0012	2	98	Quick Connect Socket	17-0004	1
28	Bolt w/Bushing	27-0015	4	62	Manifold Block	51-0012	1	99	Gun/Wand Assembly (Inc. 100-104)	851-0095	1
29	Beltguard Cover Assembly (Inc. 30-37)	851-0216	1	63	Washer	29-0008	2	100	Quick Connect Plug	17-0005	1
30	Edging *(Four Feet Required)	33-0020	1	64	Bolt	27-0116	2	101	Gun	16-0001	1
31	Beltguard Cover (See 851-0216)	N/A Sep.	1	65	Quick Connect Socket	17-0029	1	102	Wand w/ 36" Handle	16-0120A01	1
32	Decal- Operating Instructions (E/S)	34-0813	1	66	O-ring (Replacement Only)	25-0123	-	103	Grip Handle	7-0002	1
33	Fastner	33-0197	1	67	Heat -Dump Valve	22-0005	1	104	Quick Connect Socket	17-0001	1
34	Grommet	33-0001	5	68	Hose	15-0140	1	105	Decal- Warning: Risk of Injection (E/S)	34-1253	1
35	Decal- Die Cut Nozzles	34-0500	1	69	Easy Start Valve	22-0281	1	106	O-ring (Replacement Only)	25-0122	-
36	Decal- Mi-T-M Stripe	34-0501	1	70	Elbow	23-0237	1	*Must Order in One Foot Lengths			
37	Mi-T-M Logo	62-0086	1	71	Hex Reducer	23-0056	1				

# PUMP ASSEMBLY (3-0081)



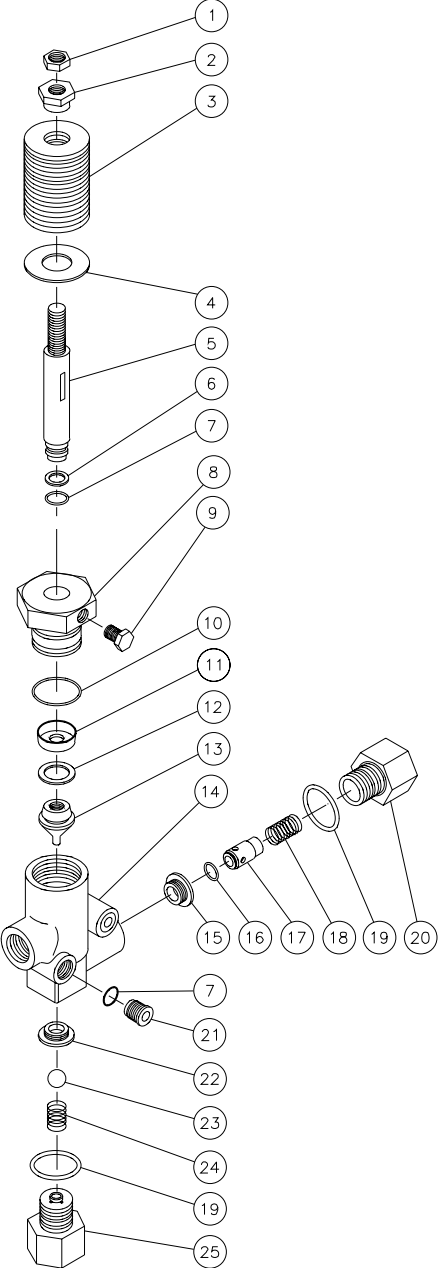
TORQUE SPECS.	
POSITION	FT-LBS
1	29.4
3	51.5
7	73.7
8	29.4
25	29.4
32	14.7
41	14.7
44	7.3
45	13.2
46	29.4
55	29.4

3-0081-050800-RD

## PUMP ASSEMBLY (3-0081)

REF. #	DESCRIPTION	PART #	QTY.	REF. #	DESCRIPTION	PART #	QTY.	REF. #	DESCRIPTION	PART #	QTY.
1	Cap	39-0018	2	21	Packing Retainer	N/A	3	41	Screw	27-8435	6
2	Washer	N/A	1	22	O-ring	25-0057	3	42	Gasket	26-0096	1
3	Cap	39-0022	1	23	Seal	26-0050	3	43	Crankcase Cover	46-0333	1
4	Washer	28-0602	1	24	Bushing	9-0030	3	44	Screw	27-8409	9
5	Valve Assembly (Inc. 11-15) (See 70-0041)	N/A Sep.	1	25	Screw	27-8060	8	45	Oil Level Indicator	46-0114	1
6	O-ring	25-0059	6	26	Crankcase Cover	46-0090	2	46	Cap	39-0018	3
7	Cap	39-0023	6	27	Spacer	46-0200	1	47	O-ring	25-0052	6
8	Screw	27-8470	8	28	O-ring	25-0061	2	48	Pin	43-0033	3
9	Lockwasher	29-0155	8	29	Ball Bearing	48-0015	2	49	Crankshaft	46-0331	1
10	Manifold	46-0335	1	30	Cover	46-0330	1	50	Key	43-0029	1
11	O-ring (See 70-0041)	N/A Sep.	6	31	Oil Dip Stick	46-0144	1	51	Clip	46-0105	1
12	Valve Seat (See 70-0041)	N/A Sep.	6	32	Bolt	46-0069	3	52	Oil Seal	26-0051	1
13	Valve (See 70-0041)	N/A Sep.	6	33	O-ring	25-0014	3	53	Spacer	46-0100	1
14	Spring (See 70-0041)	N/A Sep.	6	34	Back-up Ring	25-0508	3	54	Lockwasher	29-0055	4
15	Valve Guide (See 70-0041)	N/A Sep.	6	35	Washer	28-0400	3	55	Screw	27-8471	4
16	Head Ring	46-0059	3	36	Plunger	46-0052	3		Head Ring Kit (Includes 3 each 16)	70-0030	
17	V-Packing	26-0098	3	37	Spacer	46-0100	3		Valve Kit (Includes 3 each 11-15)	70-0041	
18	Ring	25-0207	3	38	Plunger Guide	46-0332	3		Pressure Seal Kit (Includes 3 each 17, 18, 20)	70-0147	
19	Intermediate Ring	46-0659	3	39	Connecting Rod	46-0202	6		Intermediate Retainer Kit (Includes 3 each 18, 19)	70-0148	
20	Low Pressure Seal	26-0197	3	40	Lockwasher	29-0154	6				

# UNLOADER ASSEMBLY (8-0032)

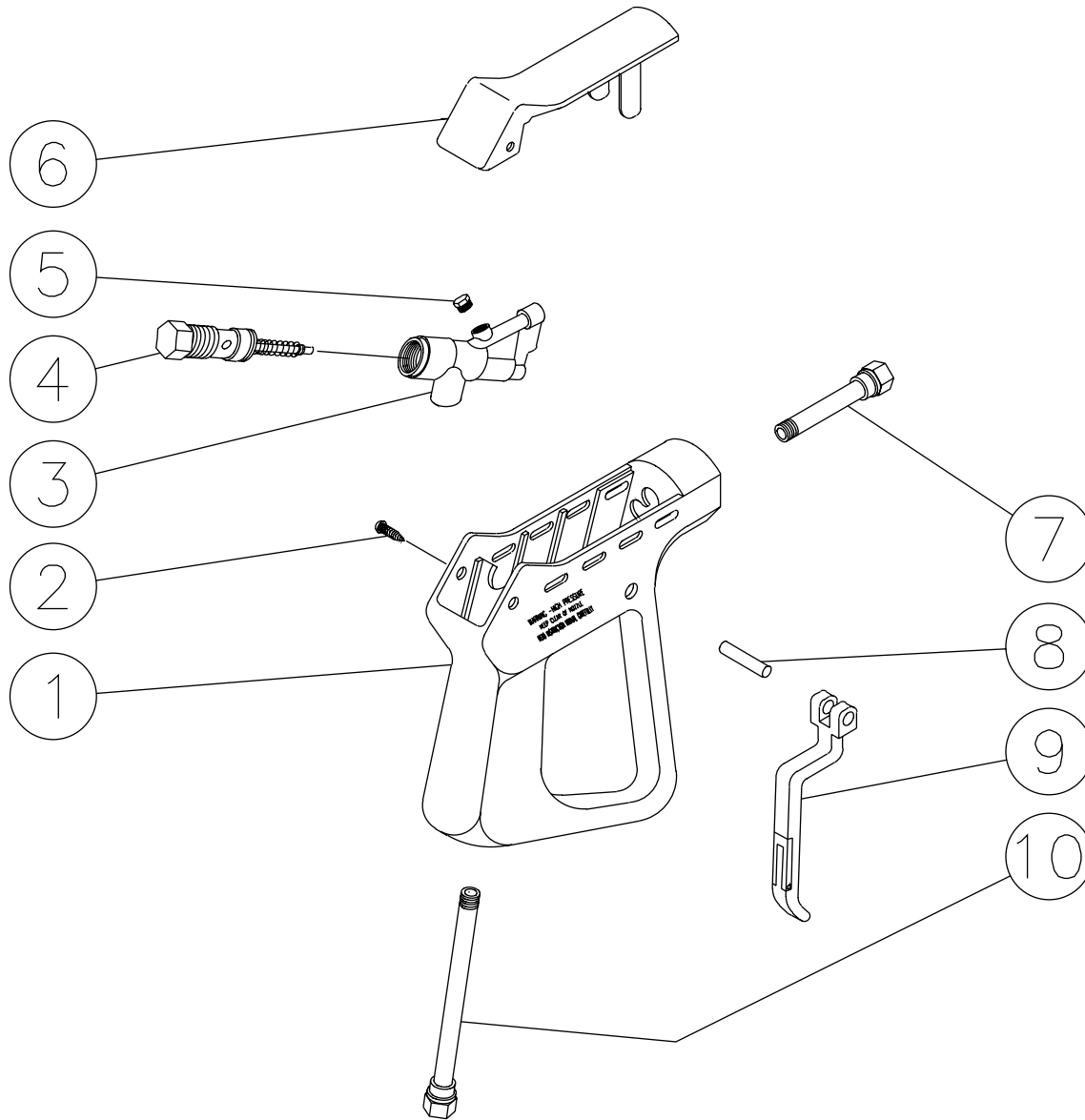


OMGEN074-083094-BAR



UNLOADER ASSEMBLY (8-0032)			
REF.#	DESCRIPTION	PART #	QTY.
1	Locknut	30-3058	1
2	Adjusting Nut	8-0089	1
3	Spring Washers - Orange	8-0009	15
4	Washer	28-0250	1
5	Valve Stem	8-0037	1
6	Backup Ring	8-0038	1
7	O-ring	25-0009	5
8	Valve Cap	8-0036	1
9	Set Screw	8-0084	1
10	O-ring	25-0008	1
11	Cup	8-0034	1
12	Back-up Ring	8-0040	1
13	Piston	8-0039	1
14	Valve Body	8-0164	1
15	Outlet Seat	8-0006	1
16	O-ring	25-0011	1
17	Outlet Valve	8-0004	1
18	Spring	49-0016	1
19	O-ring	25-0010	2
20	Outlet Retainer	8-0003	1
21	Brass Plug	8-0011	4
22	Valve Seat	8-0005	1
23	Ball	8-0041	1
24	Spring	49-0015	1
25	Inlet Retainer	8-0165	1
	Unloader Repair Kit (Inc. 6, 7, 10-12, 16 and 19)	70-0044	

# GUN ASSEMBLY (16-0001)



<b>GUN ASSEMBLY (16-0001)</b>			
<b>REF. #</b>	<b>DESCRIPTION</b>	<b>PART #</b>	<b>QTY.</b>
1	Plastic Housing	16-0008	1
2	Screw	27-3230	2
3	Brass Housing	16-0012	1
4	Gun Repair Kit	70-0055	1
5	Brass Plug	39-0024	1
6	Plastic Cover	16-0009	1
7	Pipe Assembly	16-0013	1
8	Trigger Pin	16-0063	1
9	Trigger/Safety Lock-off	16-0010	1
10	Pipe Assembly- Inlet	16-0016	1
	Complete Gun Assembly	16-0001	1

